

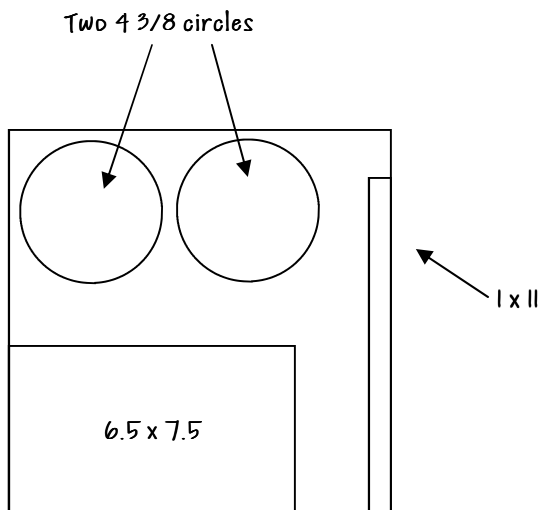
Punch Bunny Basket

By Chris Twing, SU! Independent Demonstrator

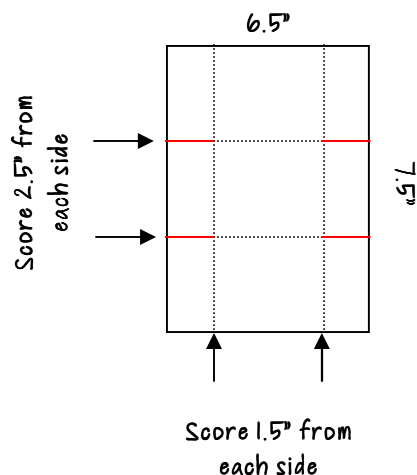
www.forloveofpaper.com



How to cut all pieces from one sheet of 12x12



How to score basket piece



SUPPLIES

Stamps: Canvas

Inks: Chocolate Chip & Creamy Caramel (Classic)

Paper: 1 sheet 12 x 12 Chocolate Chip (or two 8 1/2 x 11) Whisper White scraps

Other: Sticky Strip, Tombow Multipurpose Adhesive, Coluzzle Circle Cutter, 12" of Certainly Celery Grosgrain Ribbon, Crop-a-dial/hole puncher, 1 3/8 Circle Punch, 1 1/4 Circle Punch, Small Oval Punch, Sponge, 1/4" White Pompom

Making the Basket

1. Cut each piece from the 12 x 12 Chocolate Chip Cardstock as shown. (The circles were cut using the largest circle on the Coluzzle Template SU! carries.)
2. Stamp each circle with the Canvas Background Stamp using Chocolate Chip Classic Ink. (Try to get the design straight).
3. Lay the circle on your trimmer to score at 3.5"
4. Score the 6.5 x 7.5 piece of cardstock as shown.
5. Cut on red lines
6. Fold into box and adhere together with Sticky Strip
7. Sponge all edges of the handle and both circles using Chocolate chip Classic Ink
8. Attach handle with regular adhesive. Use 1/8" (small) hole puncher on Crop-a-dial to make two holes through handle and basket on each side (at a diagonal). Thread 6" of Celery Ribbon through each and knot twice.

Making the Punch Bunny

1. From scraps of Whisper White Cardstock punch two Small Ovals, one 1 3/8" Circle and one 1 1/4 circle". Lightly sponge all edges using Creamy Caramel Classic Ink.
2. Adhere bunny pieces to the basket in the following order: two ears, upper body and lower body.
3. Adhere pompom tail using Tombow Multipurpose Adhesive. Hold for 30 sec/until glue dries.